

13. Lintels

In the Armopanel™ system, there are door and window lintels of two heights 400mm and 600mm (16" and 24") with length from 1600mm to 3800mm (from 64" to 152") for any wall thickness.
 Horizontal reinforcement is supplied complete for all lintels.
 Pre- installed reinforcement may make the assembly of the panels difficult
 On-site installation of reinforcement is easy

Install reinforcement into the lintels by adhering to the following sequence:

- 1) Horizontal reinforcement for the lintel is extended to the surrounding panels.
- 2) The lintel panel is secured to the adjacent plain panels
- 3) Move pre-installed horizontal reinforcement of the lintel from the adjacent panels to the lintel itself.
- 4) Install ties along the horizontal reinforcement of the lintel.

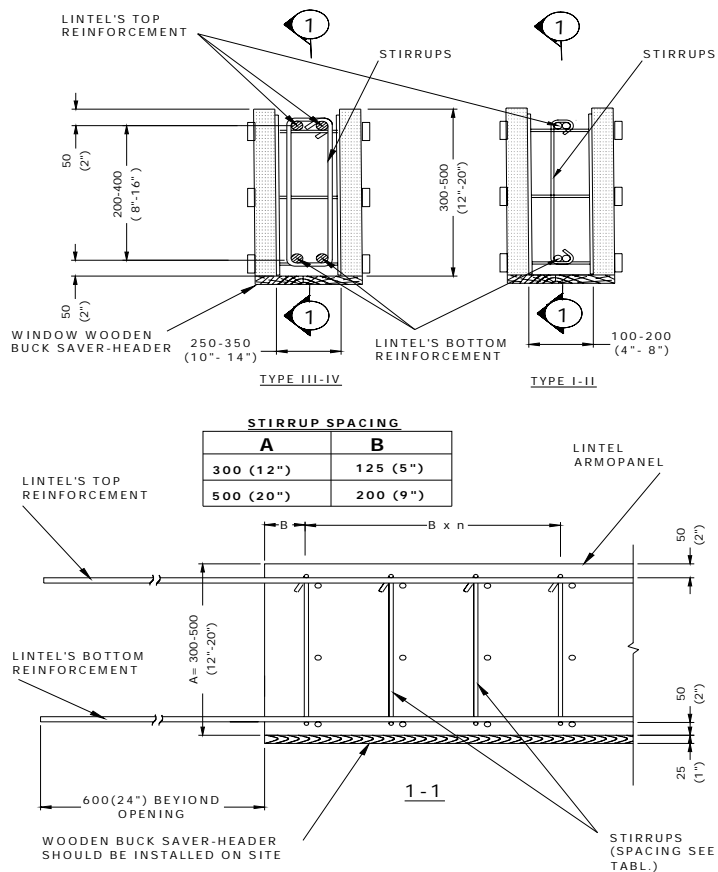


Figure 13.1

